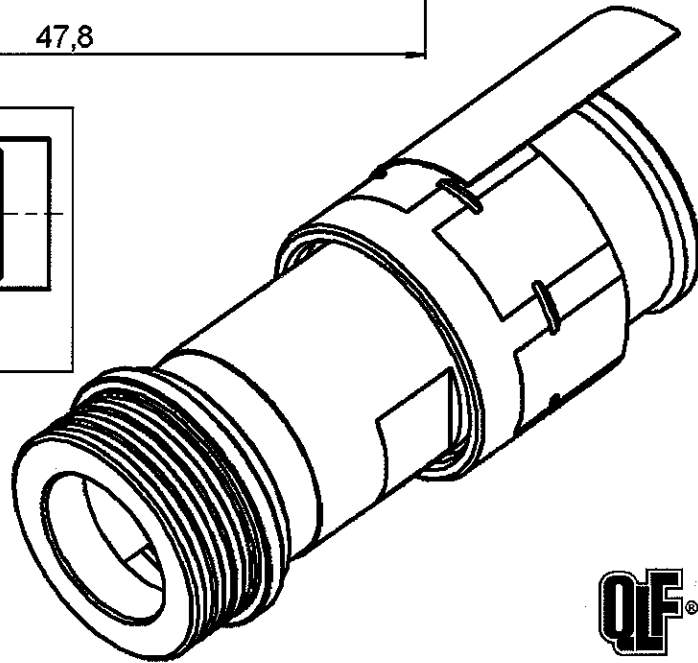
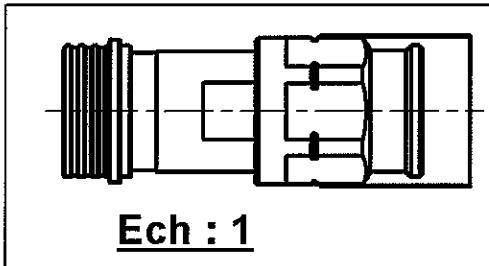
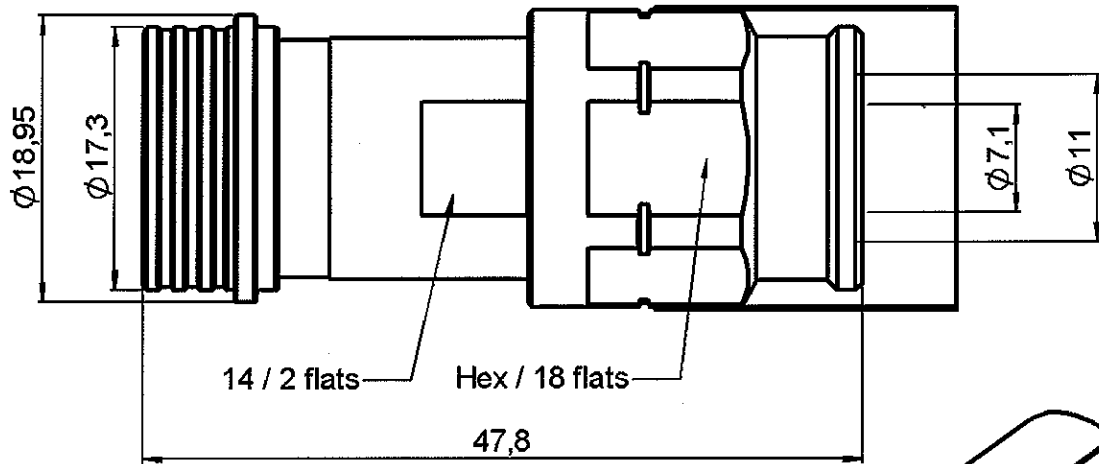


**STRAIGHT PLUG EZ-FIT**

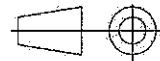
**R164.036.000**

**CABLE 3/8" SUPERFLEXIBLE CORRUGATED**

Series : QN



All dimensions are in mm.



COMPONENTS	MATERIALS	PLATINGS ( $\mu\text{m}$ )
BODY	BRASS	BBR 0.5 OVER SILVER 3
CENTER CONTACT	BERYLLIUM COPPER	SILVER 5 PASSIVATED OVER COPPER 0.5
OUTER CONTACT	BERYLLIUM COPPER	GOLD 0.3 OVER CHEMICAL NICKEL
INSULATOR	PTFE	
GASKET	EPDM	
OTHERS PARTS	BRASS	BBR 2
-	-	-
-	-	-

Issue : 0520 C

In the effort to improve our products, we reserve the right to make changes judged to be necessary.



**STRAIGHT PLUG EZ-FIT**

**R164.036.000**

**CABLE 3/8" SUPERFLEXIBLE CORRUGATED**

Series : QN

**PACKAGING**

Standard	Unit	Other
1	-	Contact us

**SPECIFICATION**

**ELECTRICAL CHARACTERISTICS**

Impedance		<b>50</b> Ω
Frequency		<b>*0-6</b> GHz
VSWR	<b>1.05</b> +	<b>0.025</b> x F(GHz) Maxi
Insertion loss		<b>0.048</b> √F(GHz) dB Maxi
RF leakage	- (	<b>** 90</b> - F(GHz)) dB Maxi
Voltage rating		<b>1400</b> Veff Maxi
Dielectric withstanding voltage		<b>2500</b> Veff mini
Insulation resistance		<b>5000</b> MΩ mini

**CABLE ASSEMBLY**

Stripping	a	b	c	d	e	f
mm	5.50	5.00	11.5	0.00	0.00	0.00

Assembly instruction : NA

Recommended cable(s)  
 HCF 3/8" CuH  
 HCF 3/8" Cu2Y AlCu  
 FSJ2-50-3/8"HELIAX

Characteristics indicated on this data sheet are those that can be achieved with the highest performance cable. Intrinsic limitations of the cable may diminish the performance of the assembly

Cable retention

- pull off **500** N mini  
 - torque **NA** N.cm

**MECHANICAL CHARACTERISTICS**

Center contact retention		
Axial force – Mating end	<b>68</b>	N mini
Axial force – Opposite end	<b>68</b>	N mini
Torque	<b>NA</b>	N.cm mini

**TOOLING**

Part Number	Description	Hexagon
.	.	.
R282.010.040	STRIPPING TOOL	
R282.303.220	TORQUE SPANNER .708 in 84.075 in.lb	

Recommended torque		
Mating	<b>NA</b>	N.cm
Panel nut	<b>NA</b>	N.cm
Clamp nut	<b>950</b>	N.cm
A/F clamp nut	<b>18.000</b>	mm

Mating life	<b>100</b>	Cycles mini
Weight	<b>53.500</b>	g

**OTHERS CHARACTERISTICS**

\* Usable 0-11GHz  
 \*\*RF Leakage: -80dB min 3<F<6GHz  
 \*\*\*PIM 3 : -112dbm (2 x 20W at 1.8GHz)

**ENVIRONMENTAL**

Operating temperature	<b>-55/+125</b>	°C
Hermetic seal	<b>NA</b>	Atm.cm3/s
Panel leakage	<b>NA</b>	

Issue : 0520 C

In the effort to improve our products, we reserve the right to make changes judged to be necessary.



STRAIGHT PLUG EZ-FIT

**R164.036.000**

CABLE 3/8" SUPERFLEXIBLE CORRUGATED

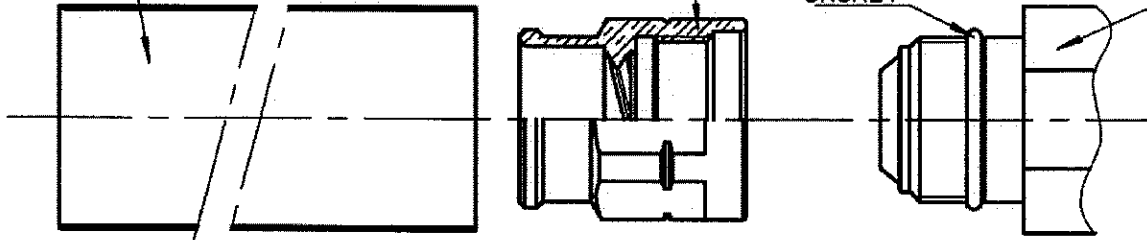
Series : QN

HEATSHRINK SLEEVE

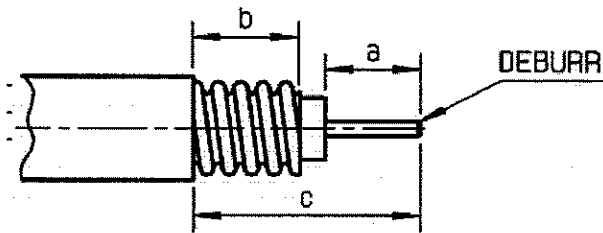
BRAID CLAMP NUT

GASKET

BODY

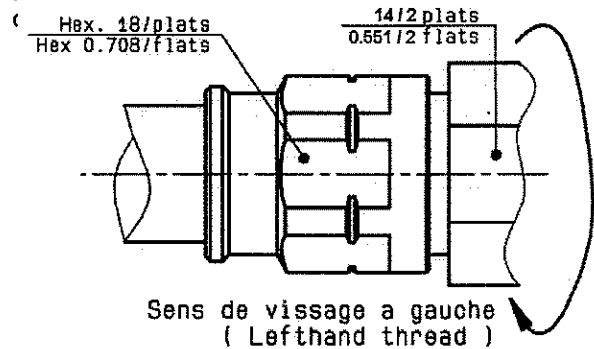


1



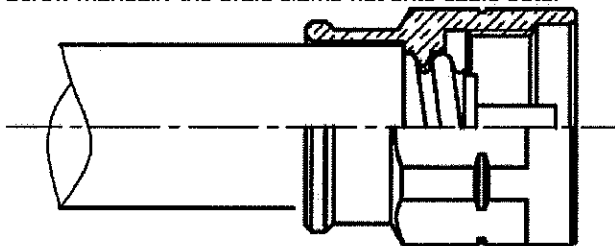
3

- Screw the connector onto the assembly.  
 WARNING : Screw the connector on the braid clamp nut turning left (left-hand thread) so that the conner



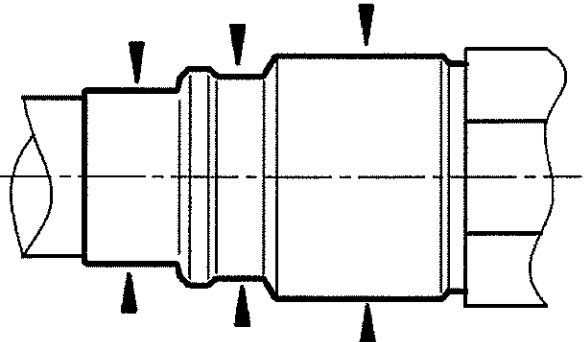
2

- Slide the heatshrink sleeve onto the cable.  
 - Screw manually the braid clamp nut onto cable outer



4

Shrink the heatshrink sleeve



Issue : 0520 C

In the effort to improve our products, we reserve the right to make changes judged to be necessary.



**RADIALL**®